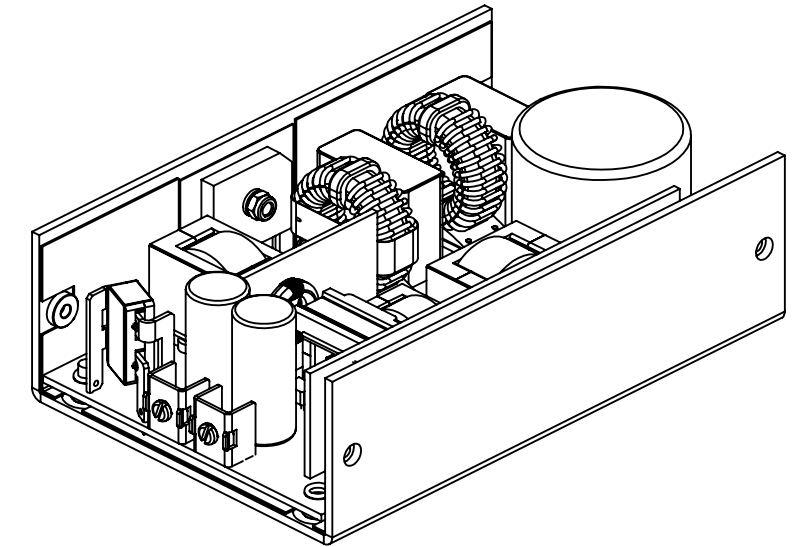
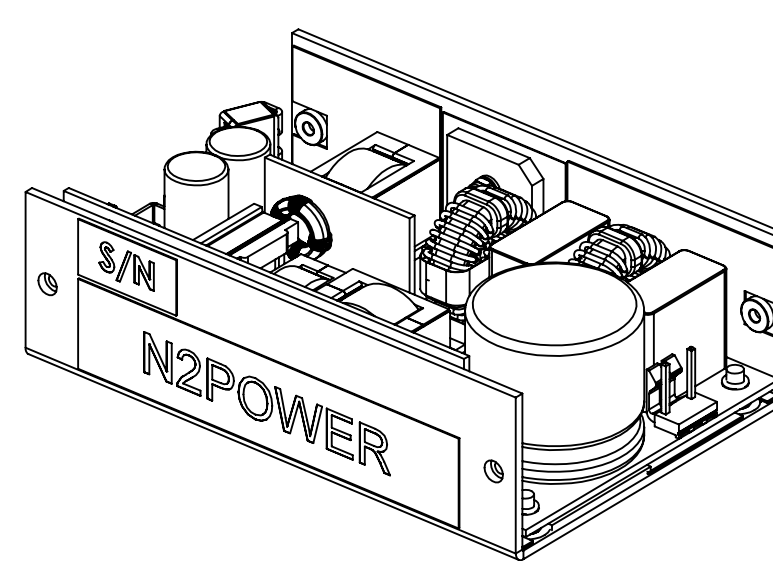
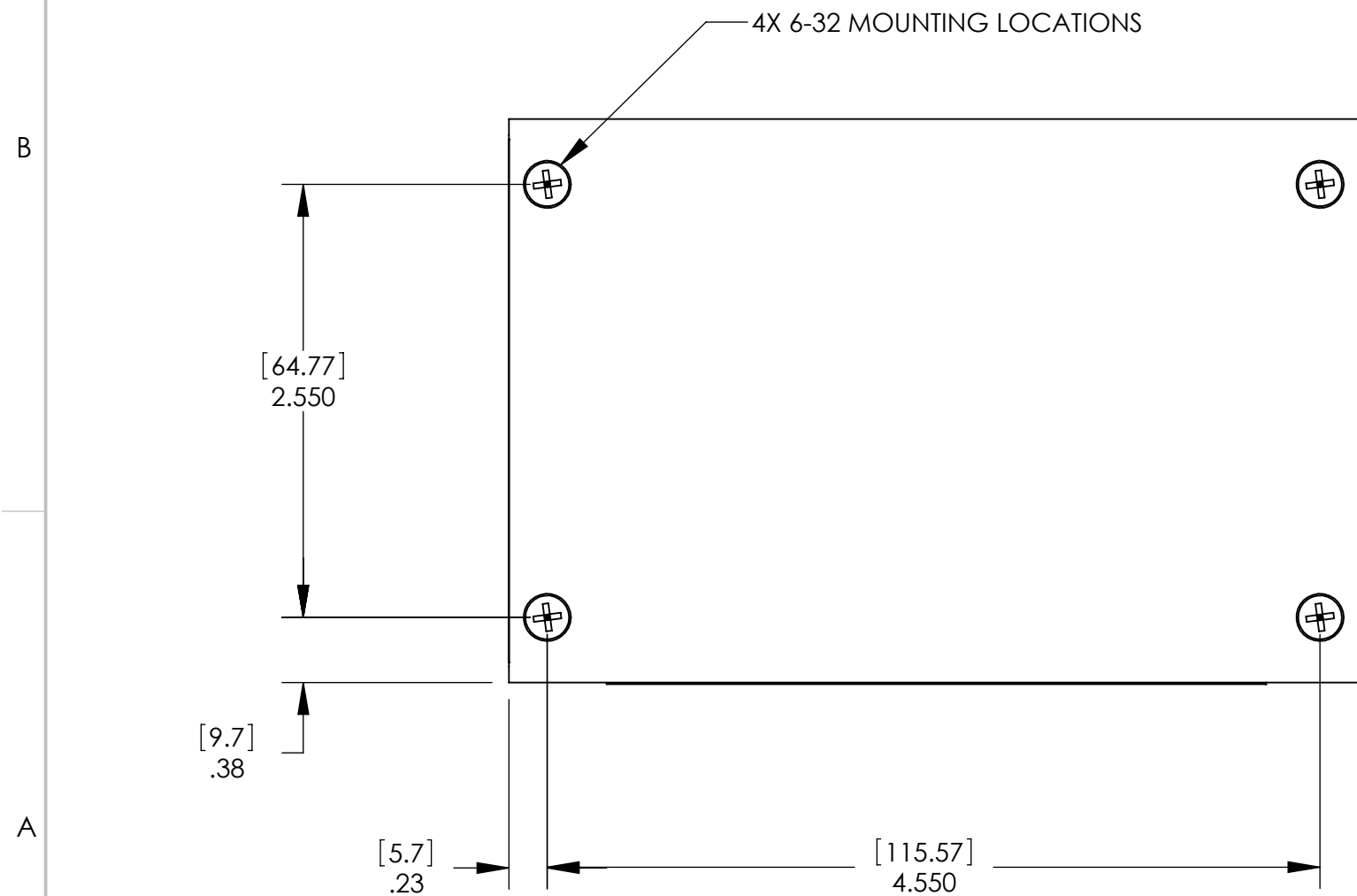
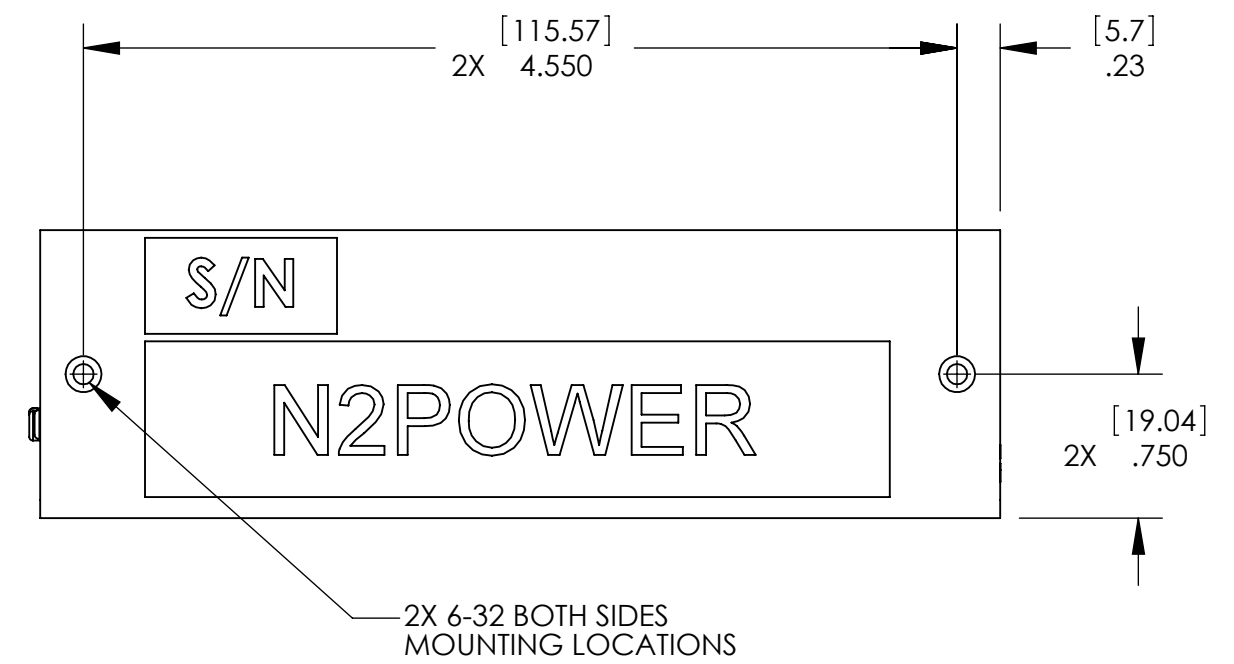
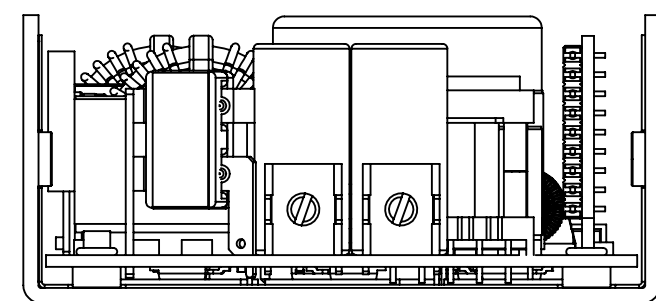
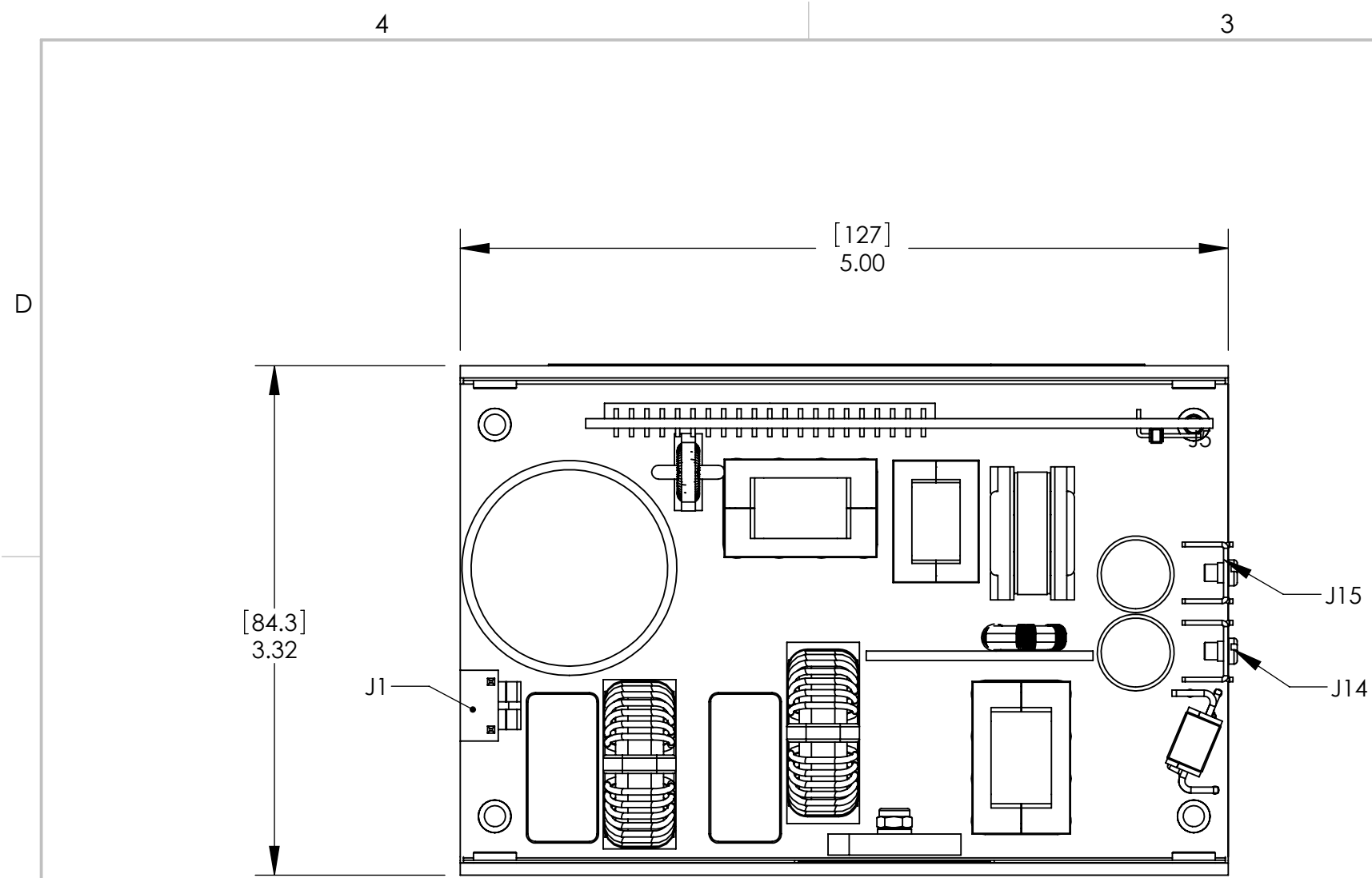



REV.	DESCRIPTION	DWN	CHK	DATE	APVD
A	PRODUCTION RELEASE	ESS	RAN	05/16/2007	RAN
A1	CHANGED FROM XL350 TO XL375	ESS	RAN	10/28/2008	RAN



MATERIAL NONE	UNLESS OTHERWISE SPECIFIED DIMENSIONS ARE IN INCHES DEBURR AND BREAK ALL SHARP EDGES AND CORNERS .01R OR CHAMFER DIM. AND TOL. PER ANSI Y14.5 TOLERANCES ARE: DECIMALS .XX ± .030 [.76MM] .XXX ± .007 [.178] ANGULAR ± 0° 30'	APPROVALS	DATE	 N2Power™ <small>A Qualstar Company</small>
FINISH NONE		MODELED ESS 05/16/2007	Detailed ESS 05/16/2007	
		CHECKED RAN 05/16/2007	APPROVED RAN 05/16/2007	SIZE C
	DO NOT SCALE DRAWING			DWG. NUMBER 704641
				REV. A1
				SCALE 1:1 CAD FILE: 704641.SLDDRW SHEET 1 OF 1