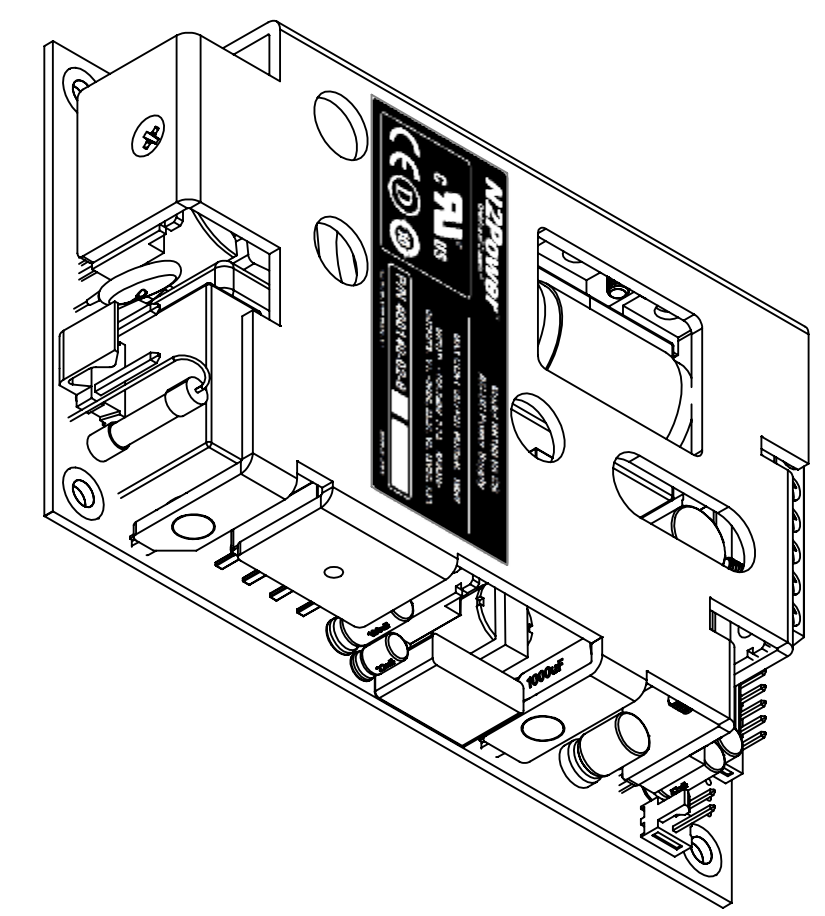
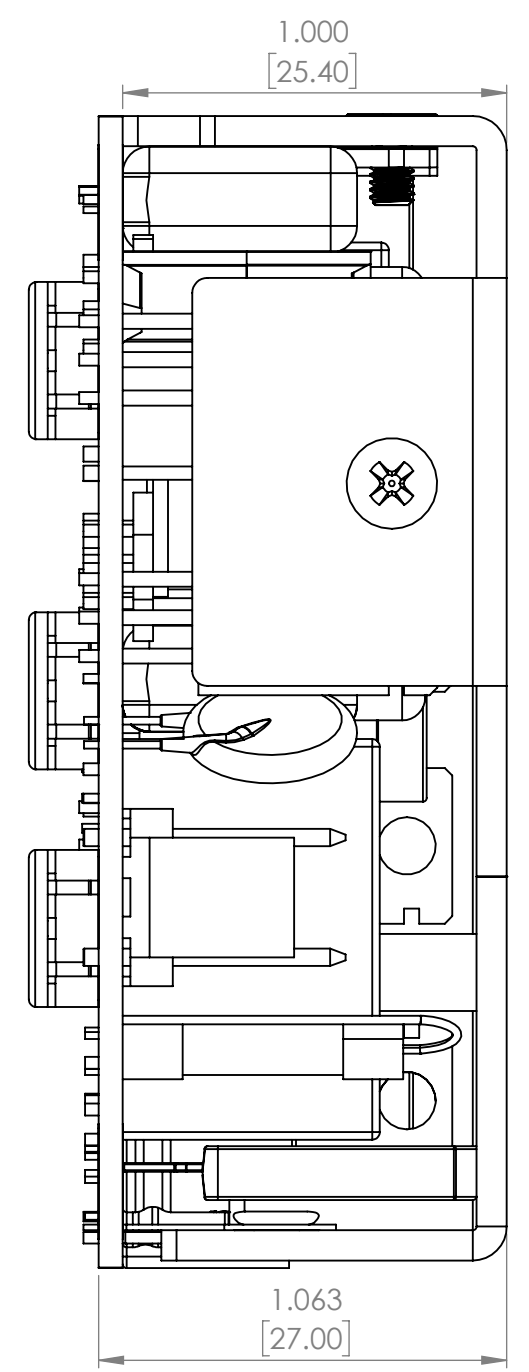
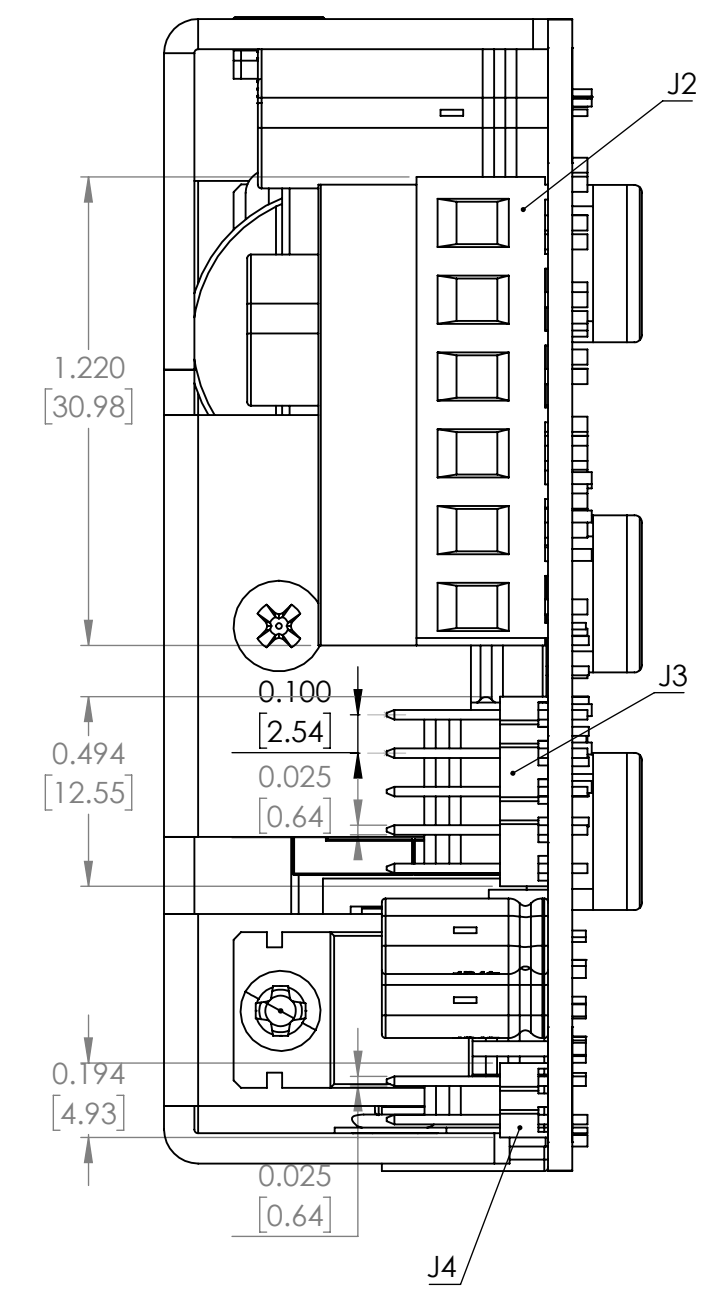
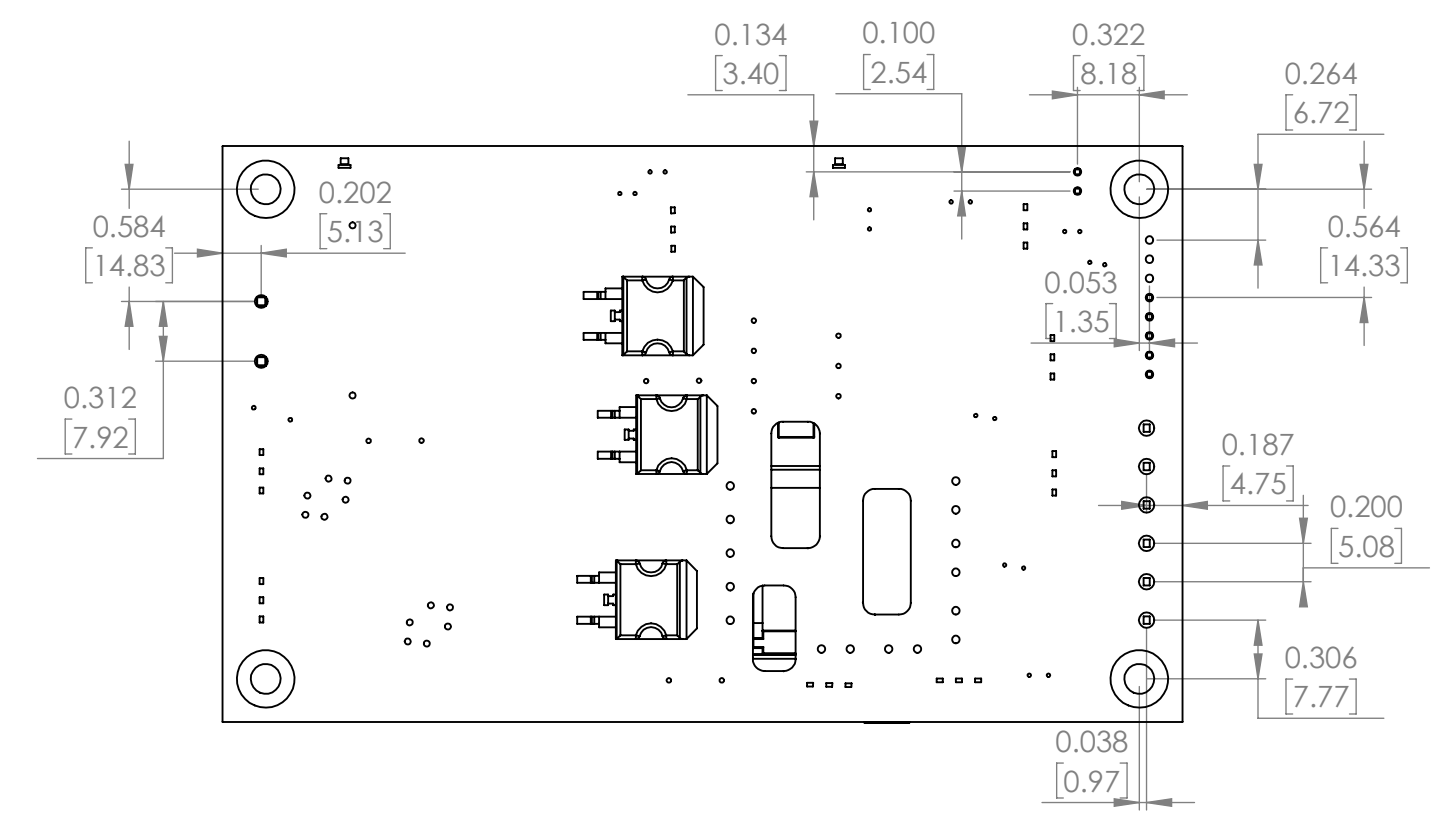
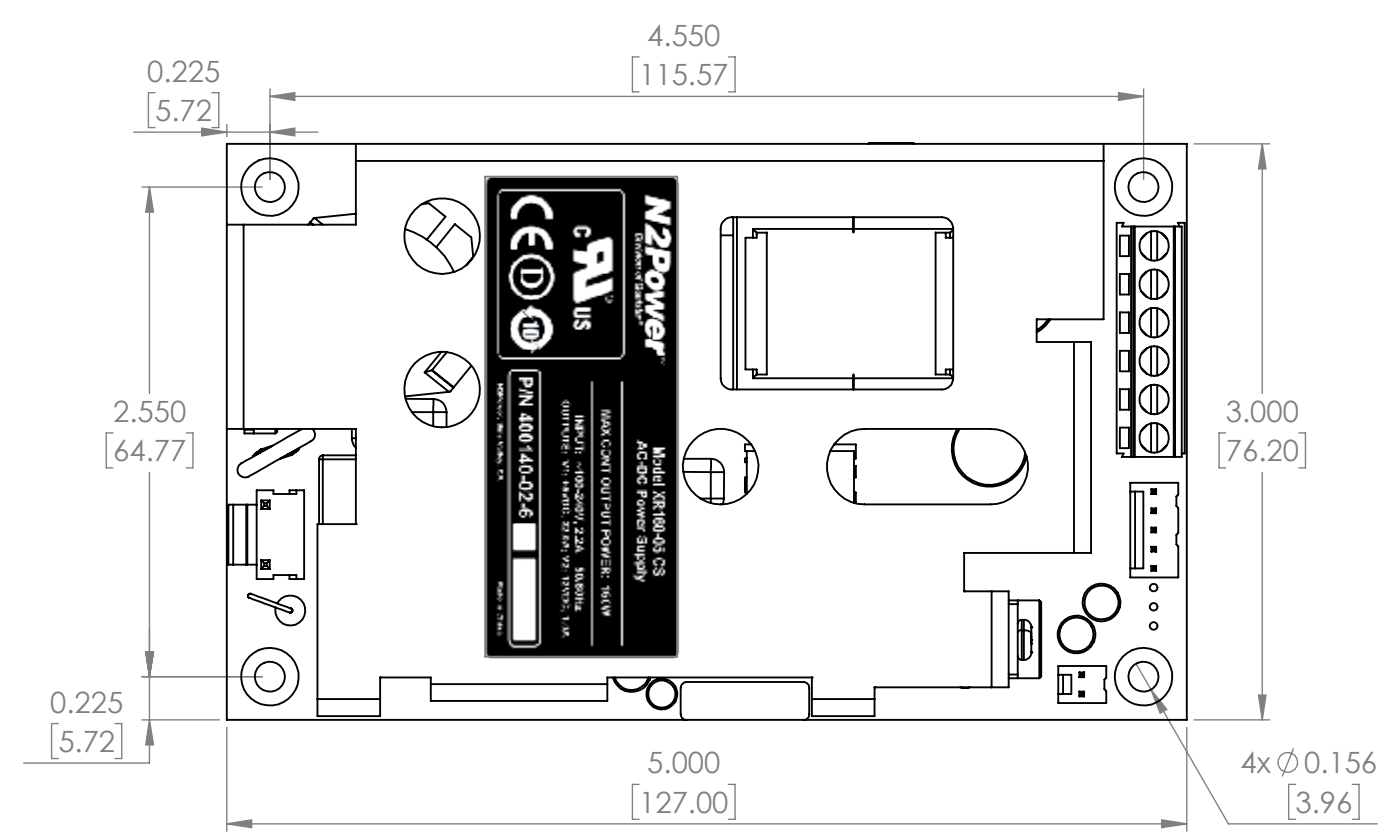

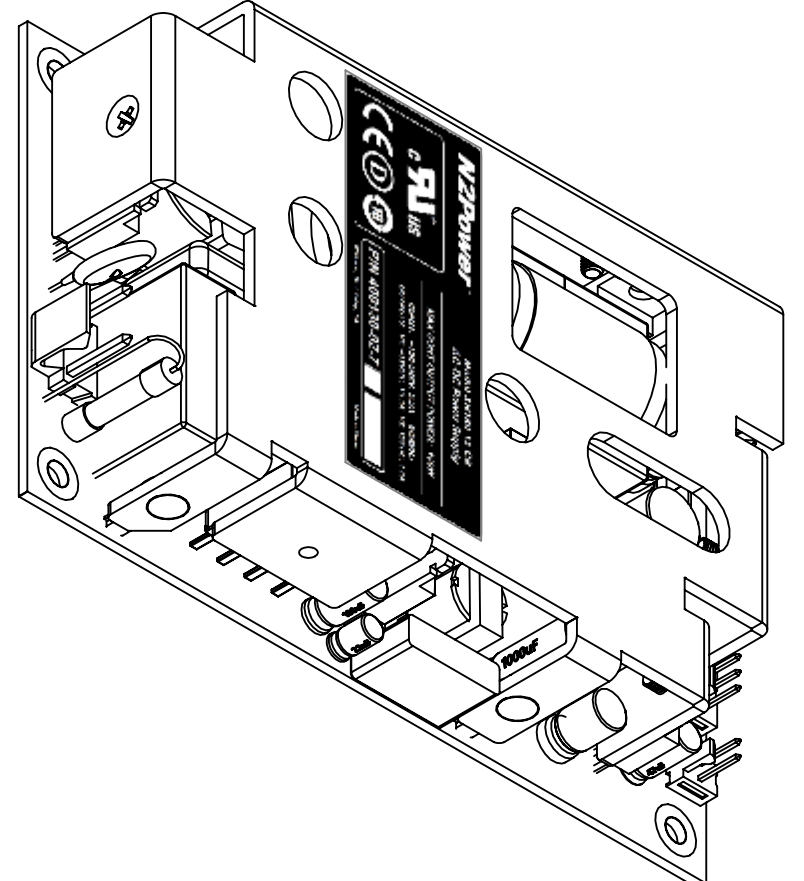
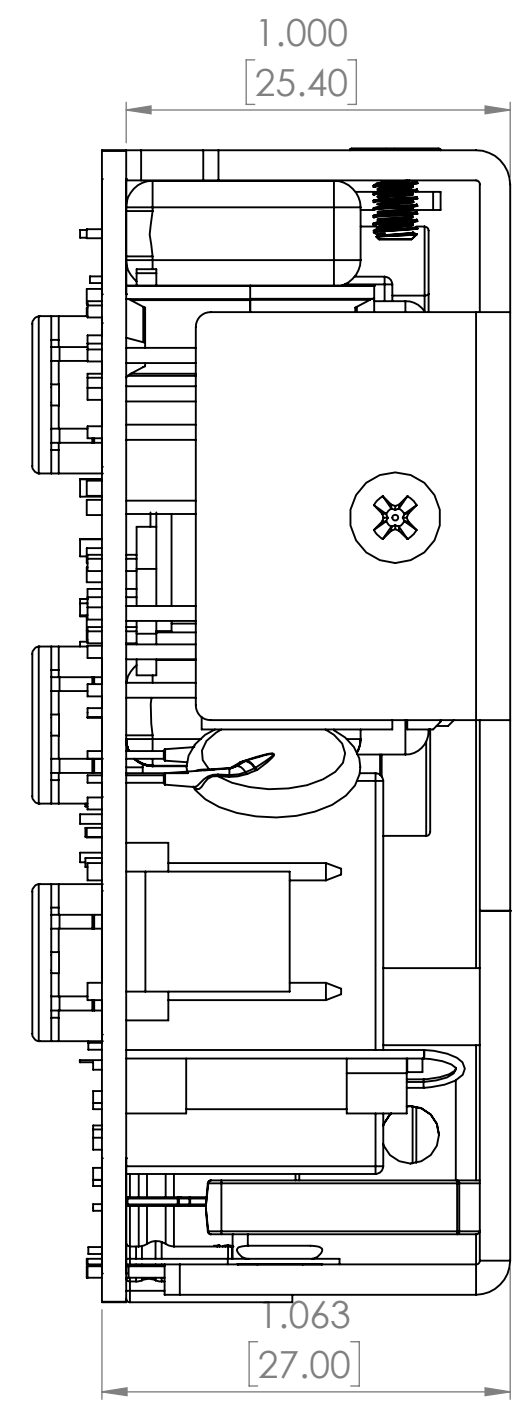
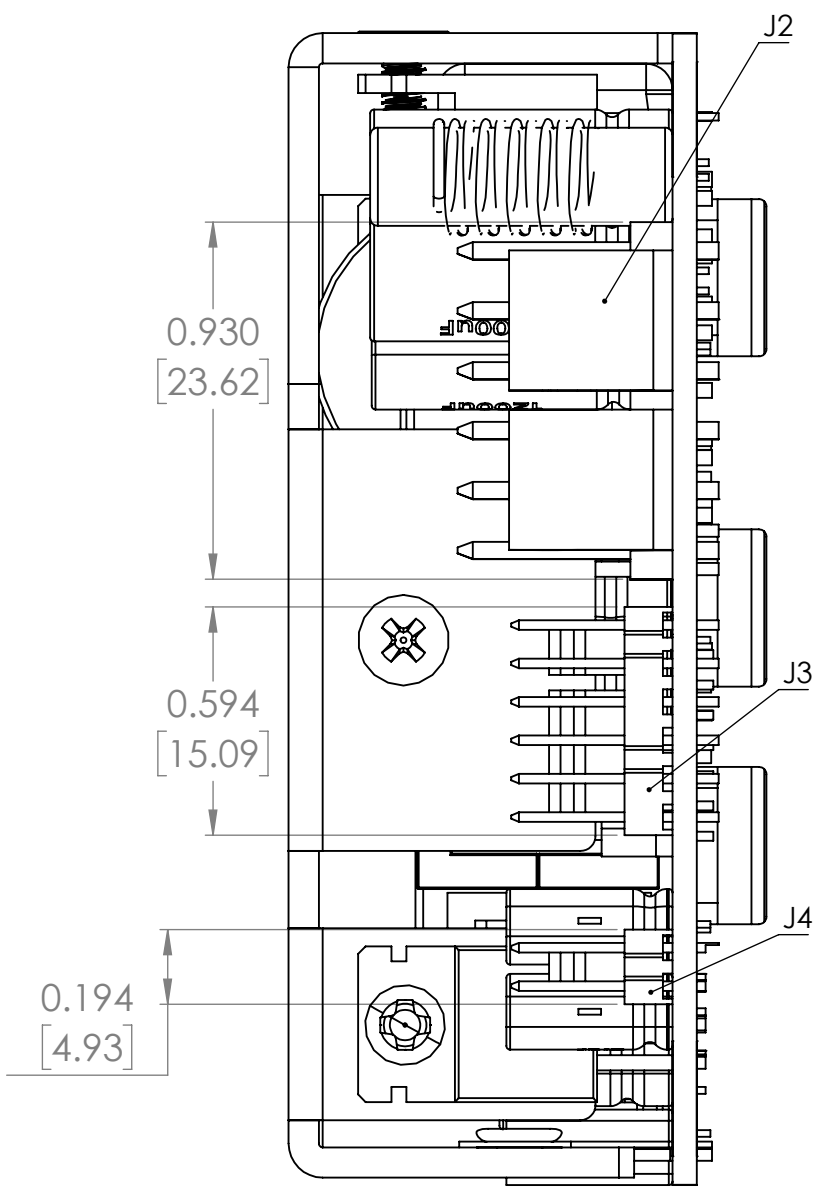
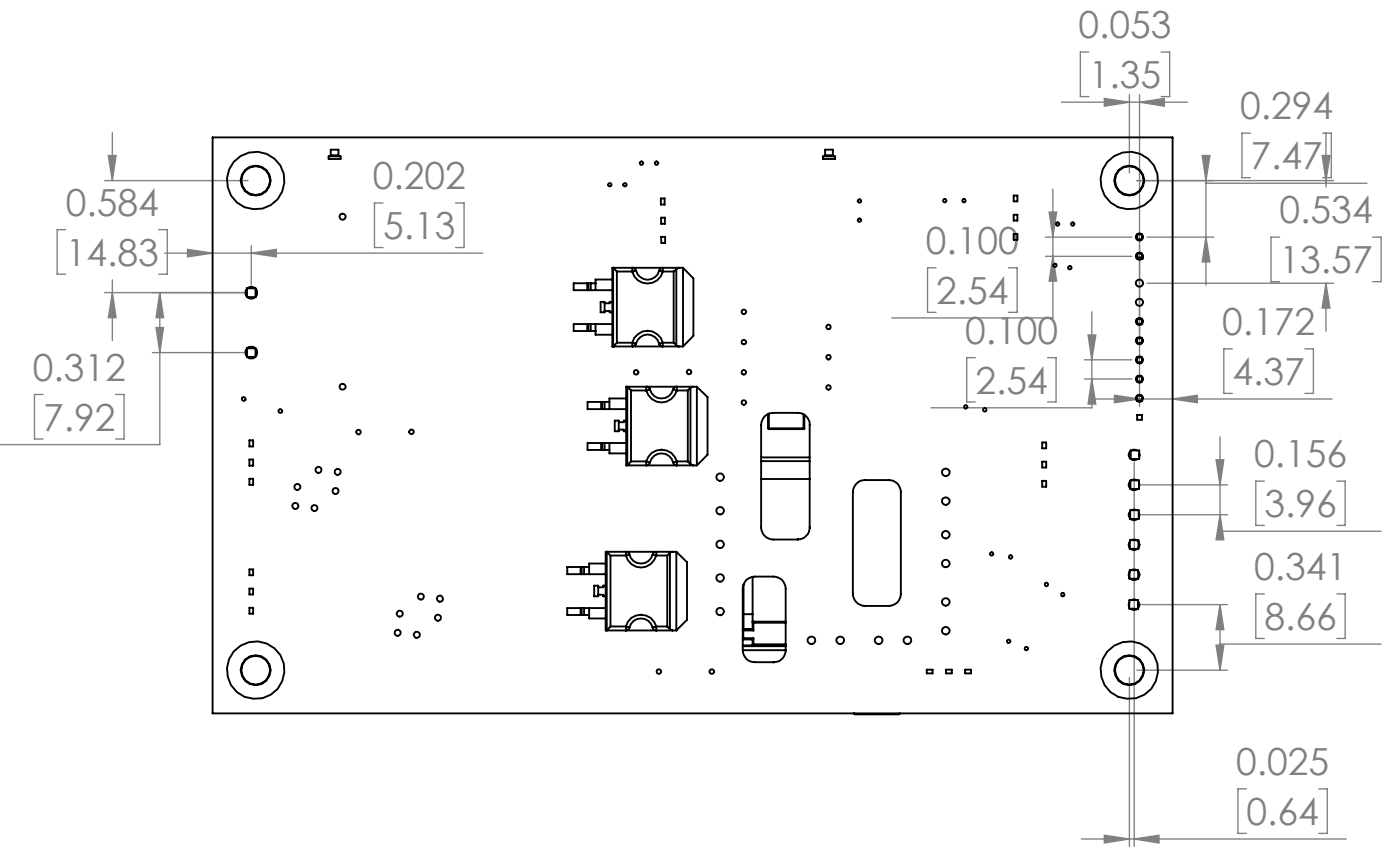
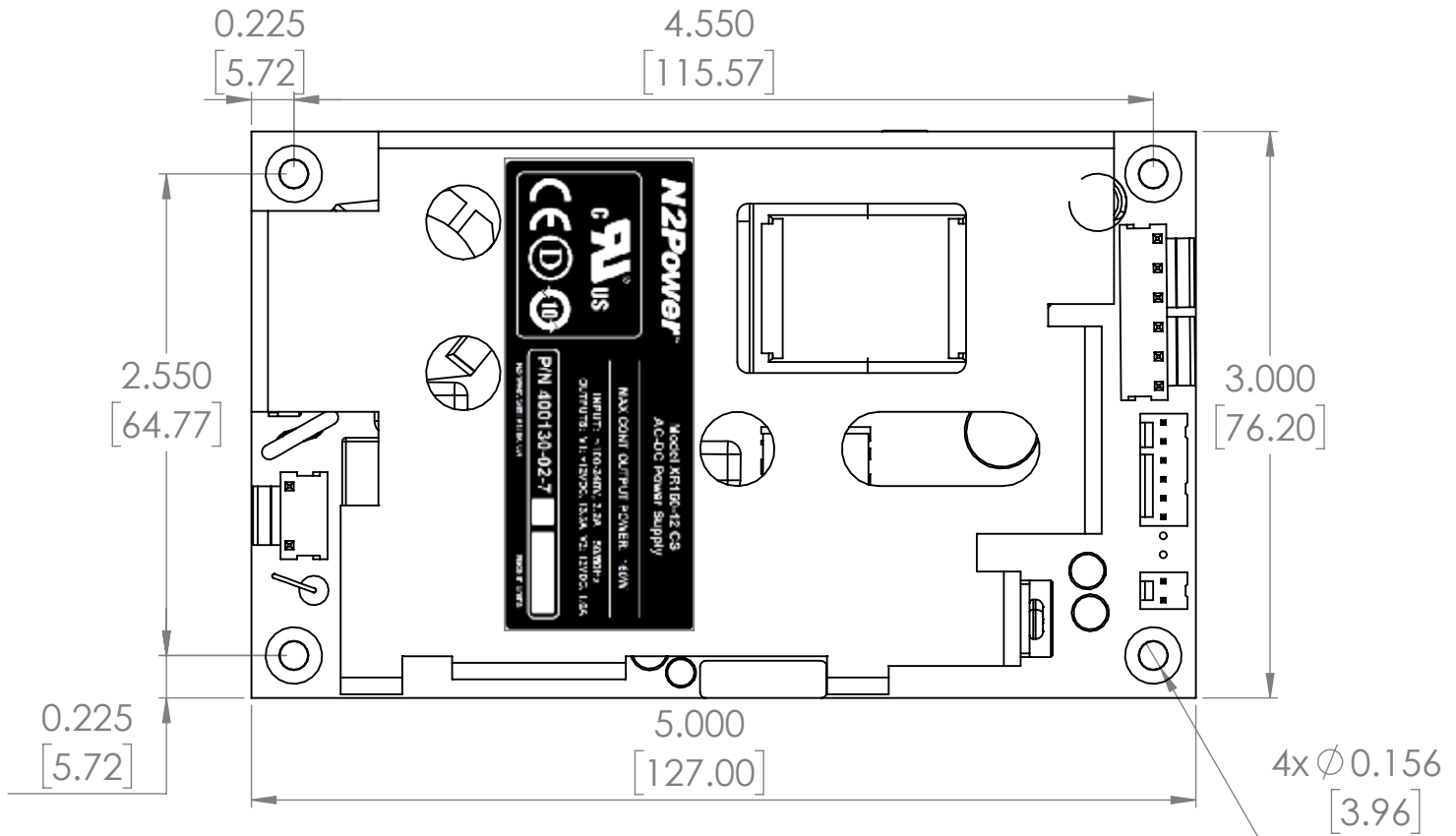



REV.	DESCRIPTION	DWN	CHK	DATE	APVD
A1	Initial release		SGP	01/16/2021	SGP



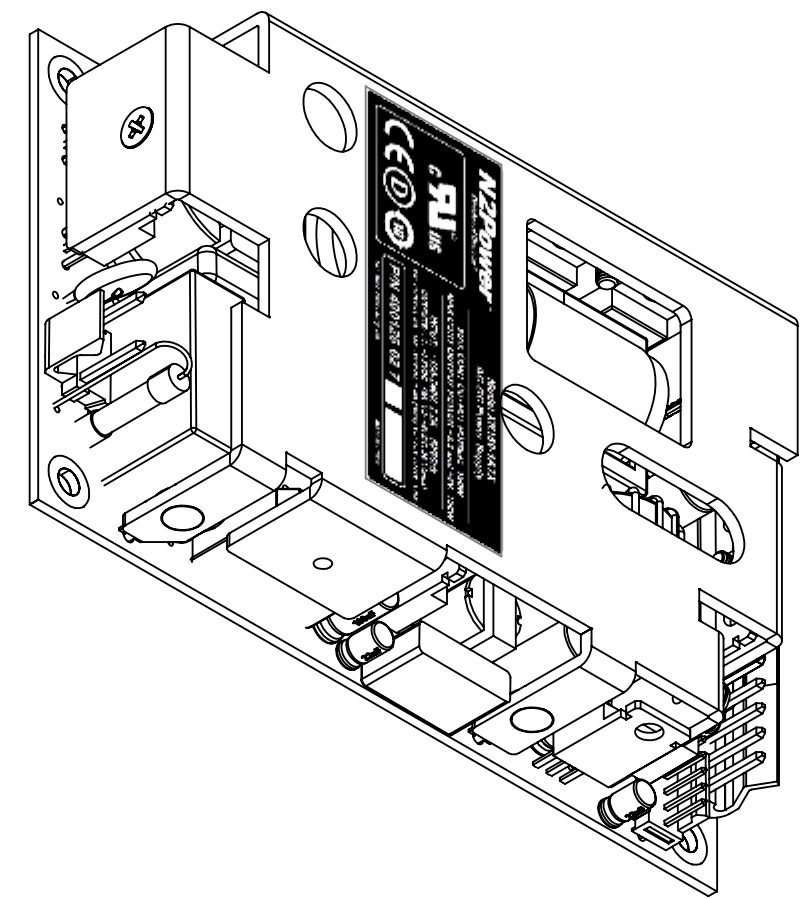
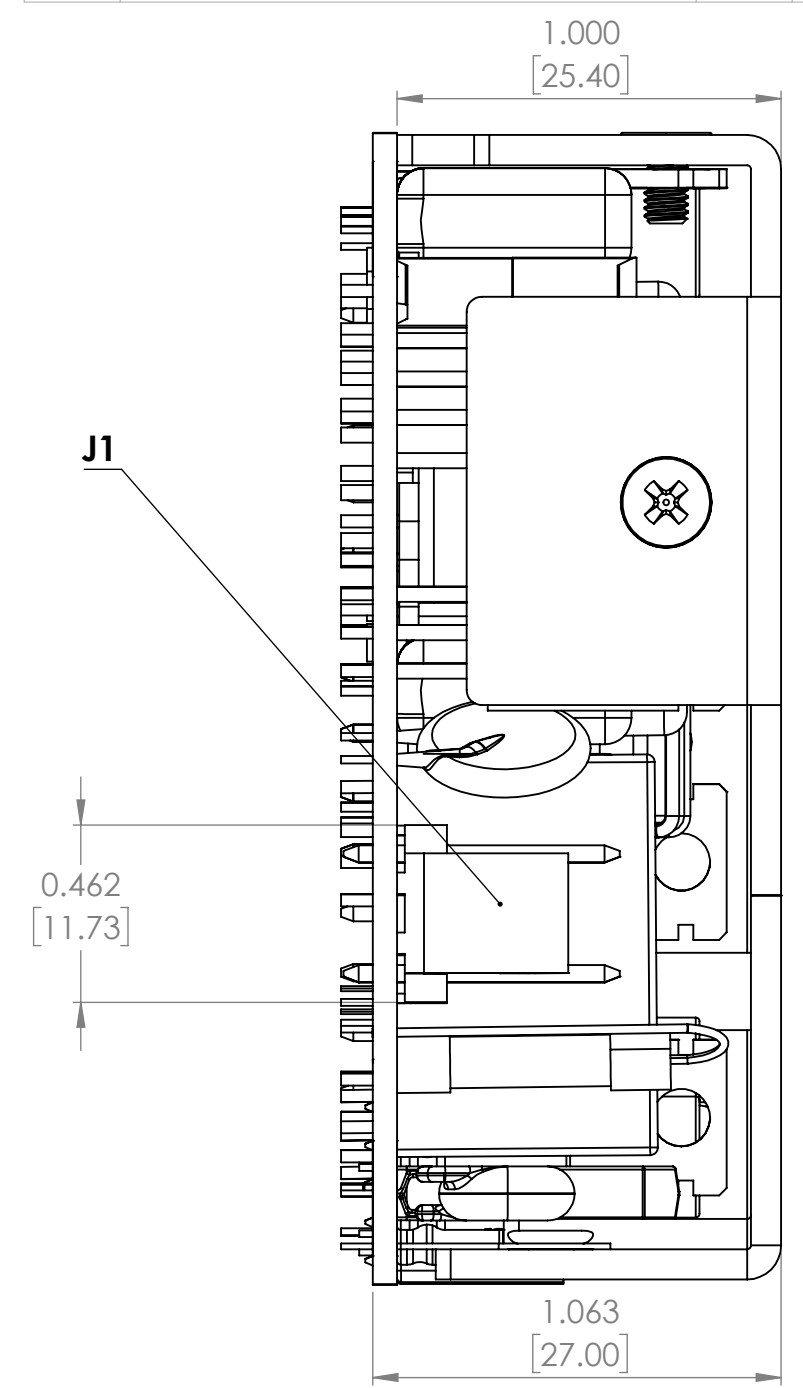
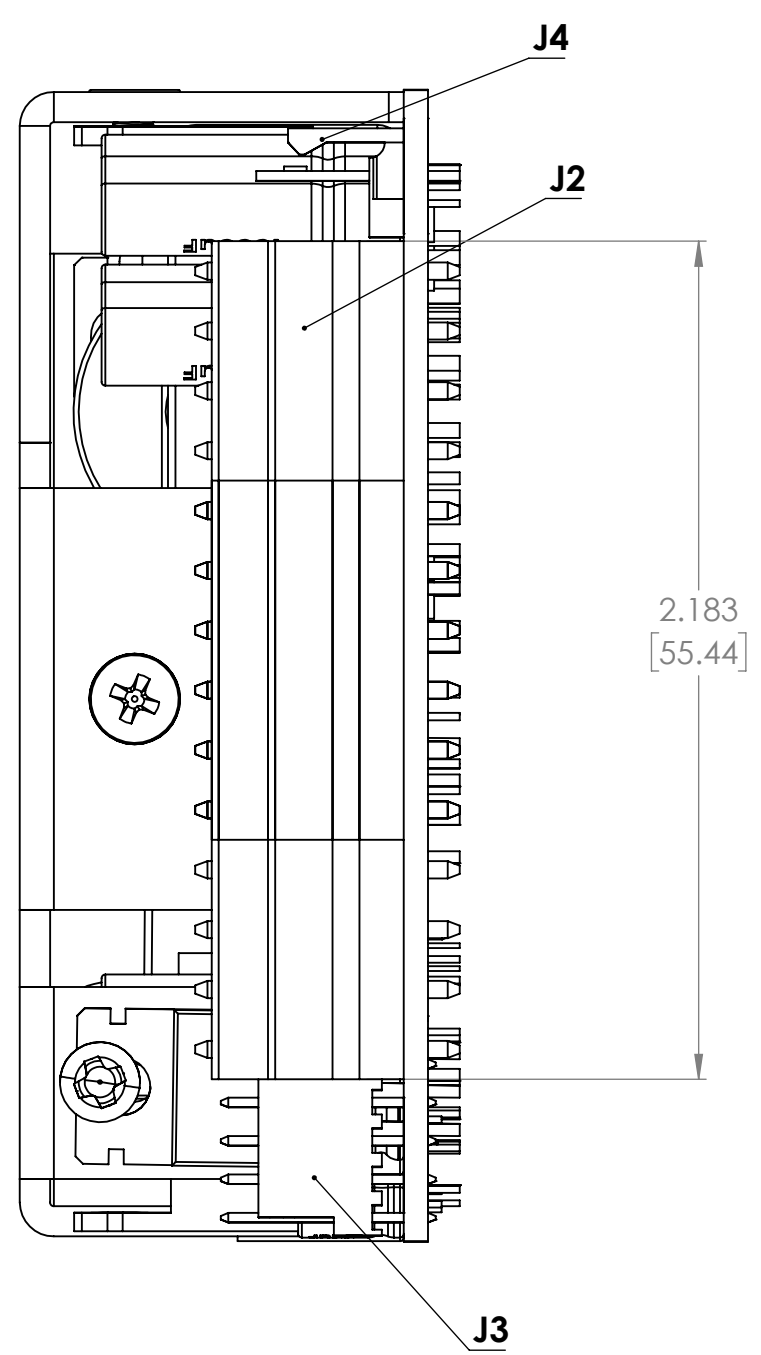
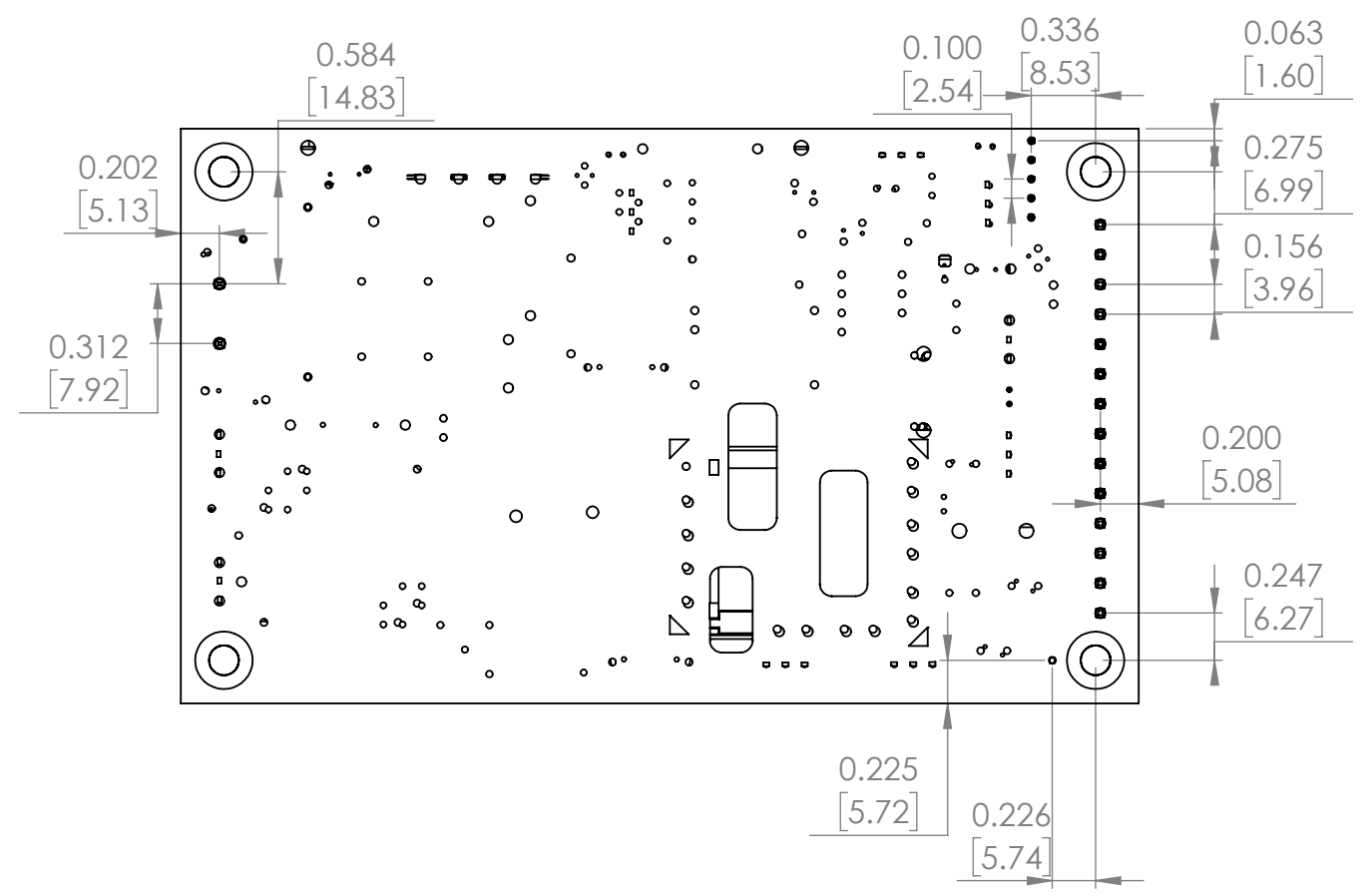
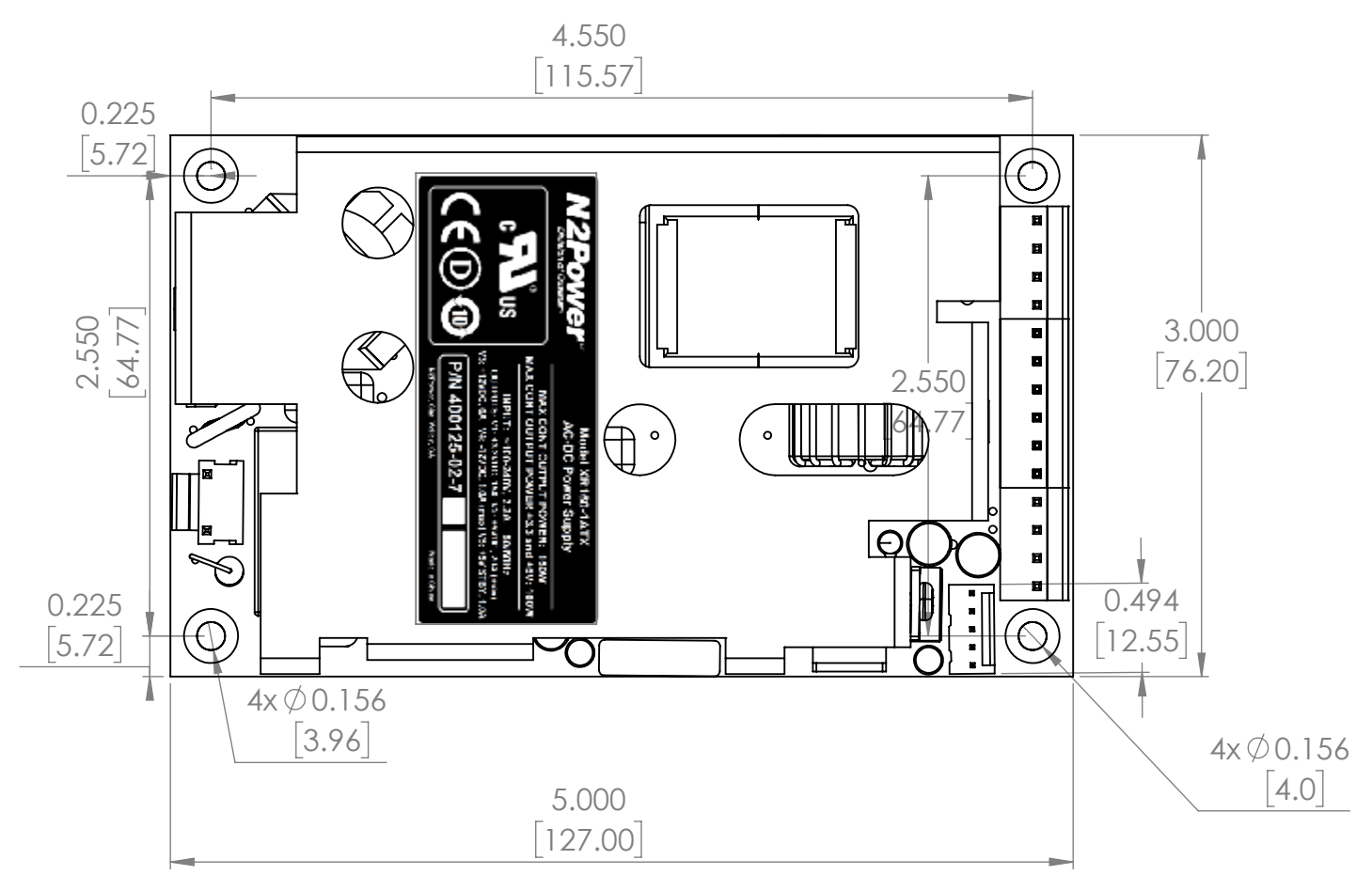
UNIT: INCH [MILLIMETER]	TOLERANCES ARE: DECIMALS .XX .01 .XXX .050	APPROVALS	DATE	 N2Power™ A subsidiary of Qualstar Corporation
		MODELED	SGP 01/16/2021	
DETAILED	SGP 01/16/2021			
CHECKED	SGP 01/16/2021			
APPROVED	SGP 01/16/2021	DESCRIPTION Dimension Drawing for XR160-05, -07, -08 [CS]		
		SIZE	DWG. NUMBER	REV.
		C	703560	A1
				SHEET 1 OF 1


REV.	DESCRIPTION	DWN	CHK	DATE	APVD
A1	Initial release	SGP	SGP	01/16/2021	SGP



UNIT: INCH [MILLIMETER]	TOLERANCES ARE: DECIMALS .XX .01 .XXX .050	APPROVALS	DATE	 A subsidiary of Qualstar Corporation DESCRIPTION Dimension Drawing for XR160-12 thru -56 [CS]
		MODELED SGP	01/16/2021	
		DETAILED SGP	01/16/2021	SIZE C
		CHECKED SGP	01/16/2021	
		APPROVED SGP	01/16/2021	DWG. NUMBER 703580
				REV. A1
				SHEET 1 OF 1

REV.	DESCRIPTION	DWN	CHK	DATE	APVD
A1	Initial release	SGP	SGP	14/01/2021	SGP



UNIT: INCH [MILLIMETER]	TOLERANCES ARE: DECIMALS .XX .01 .XXX .050	APPROVALS	DATE	 A subsidiary of Qualstar Corporation DESCRIPTION Dimension Drawing for XR160-1, -7, -8 [ATX]
		MODELED	SGP 14/01/2021	
		DETAILED	SGP 14/01/2021	
		CHECKED	SGP 14/01/2021	
APPROVED	SGP 14/01/2021	SIZE C	DWG. NUMBER 703540	REV. A1